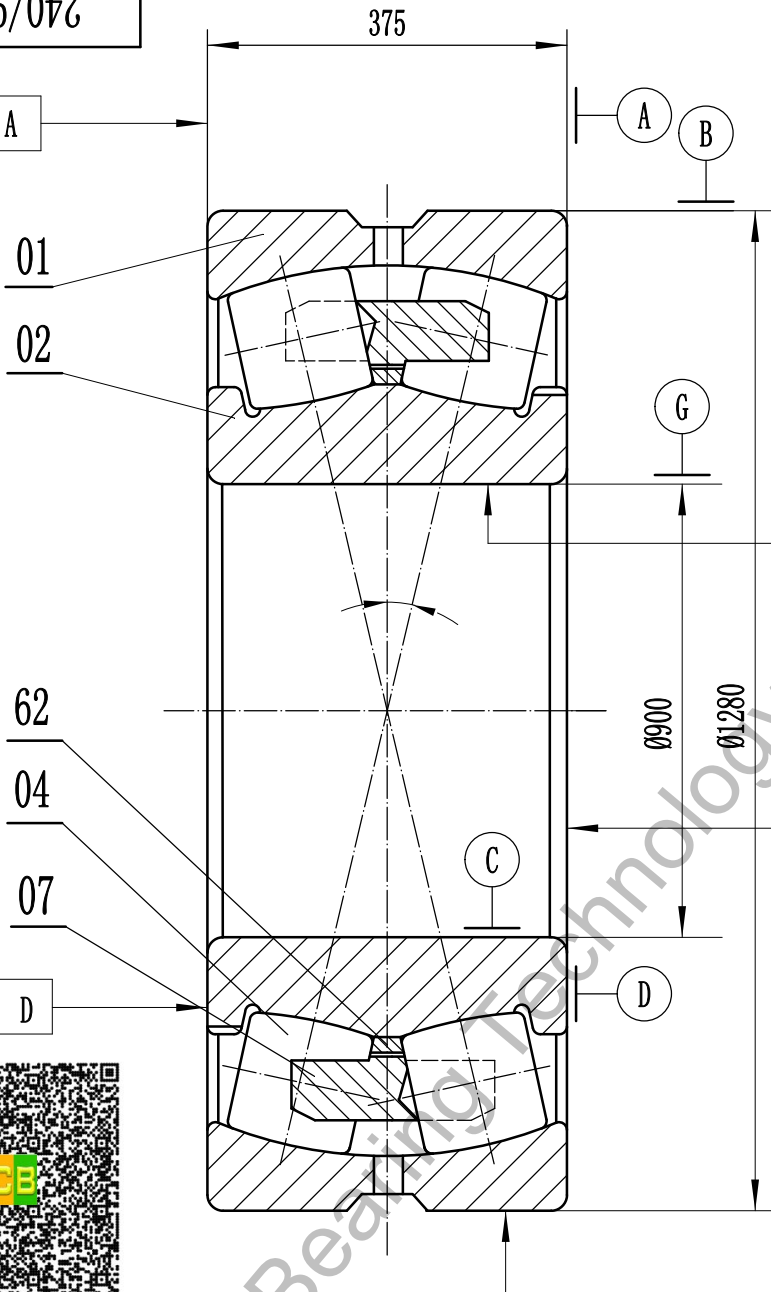




/// V _{Cs}	A
---------------------	---



⊖	V _{dsp}	
⊘	V _{dmp}	
⚡	K _{ia}	B

⚡	S _d	G
---	----------------	---

/// V _{Bs}	D
---------------------	---



⊖	V _{Dsp}	
⊘	V _{Dmp}	
⚡	K _{ea}	C
∇	S _D	A

- 1、Tolerance of running accuracy are according to relevant state standard;
- 2、The value of the basic group of radial clearance:min **** max ****;
- 3、Rated load: Cr= **** kN Cor= **** kN.

62	Guide ring		Steel 20—GB/T699			
07	Cage		Brass CuZn39Pb2—EN 1652:1997			
04	Roller		Steel 100CrMnSi6-4—ISO 683-17:1999			
02	Inner ring		Steel 100CrMnSi6-4—ISO 683-17:1999			
01	Outer ring		Steel 100CrMnSi6-4—ISO 683-17:1999			
No.	Designation	Qty	Material	unit	toatl	Remark
				Weight (kg)		

Luoyang JCB Bearing Technology Co., Ltd Contact information Company Address : No. 285, Fenghua road, Luoyang, Henan, China. Postal code : 471000 Phone :86-379-68611678 Fax : 86-379-68611679 E-mail: sales@jcb-bearing.com Reserved E-mail: sales@sphericalrollerbearing.net Website: www.jcb-bearing.com www.sphericalrollerbearing.net			<h1>Spherical Roller Bearing</h1>			<h2>240/900 ECA/W33</h2>	
		Weight(kg)				Scale	
S							
Total page 5				Page No. 1			
Luoyang JCB Bearing Technology Co., Ltd							